

CLASSIFICATION	PRODUCT SPECIFICATION	No. DS-4561-2400-102	REV. I
SUBJECT	MODEM FOR 802.15.4 IEEE STANDARD	PAGE 1 of 34	
CUSTOMER'S CODE PAN4561H /M /L	PANASONIC PART NUMBER ENWC9A22xxEF / .25xx. / .21xx.	DATE 30.05.2016	

Product Specification

Applicant / Manufacturer Panasonic Electronic Devices Europe GmbH
Hardware Zeppelinstrasse 19
 21337 Lüneburg
 Germany

Applicant / Manufacturer Synapse Wireless Inc. SNAP Software or
Software E-Senza Technologies GmbH SN55 AT Command Set or
 Freescale based SMAC test software for production or
 your own written software

Software Version
Contents Approval from customer by signature

Customer

By signing this document, you acknowledge that you are the legal representative for your company and that you understand and accept the validity of the contents herein.

CHECKED / APPROVED:

DATE:	NAME:	SIGNATURE:

NOTE:

AT LEAST ONE SET OF APPROVED SPECIFICATIONS SHOULD BE RETURNED TO THE ADDRESS OF THE ISSUING PARTY.



CLASSIFICATION	PRODUCT SPECIFICATION	No. DS-4561-2400-102	REV. I
SUBJECT	MODEM FOR 802.15.4 IEEE STANDARD	PAGE 2 of 34	
CUSTOMER'S CODE PAN4561H /M /L	PANASONIC PART NUMBER ENWC9A22xxEF / .25xx. / .21xx.	DATE 30.05.2016	

TABLE OF CONTENTS

1.	Key Features	4
2.	Applications for the Module.....	4
3.	Description of the Module	5
4.	Scope of this Document.....	6
5.	History for this Document.....	6
6.	Terminal Layout.....	7
7.	Block diagram.....	9
	7.1. Software differences.....	10
	7.1.1. Test / Demo software.....	10
	7.1.2. E-Senza software	10
	7.1.3. Synapse software	10
8.	Key Parts List	11
9.	Test Conditions.....	11
10.	Absolut maximum ratings.....	12
11.	Operating Conditions	12
12.	DC electrical characeristics.....	13
13.	A/D converter Characteristics	14
14.	AC Electrical Characteristics.....	14
15.	Soldering Temperature - Time Profile (for reflow soldering)	16
	15.1. For lead solder	16
	15.2. For lead free solder	16
16.	Module Dimensions	17
17.	FootPrint of the Module	17
18.	Laser marking.....	18
19.	Mechanical Requirements	18
20.	Recommended Land Pattern	19
21.	Reliability Tests	20
22.	Cautions	20
	22.1. Design Notes.....	20
	22.2. Installation Notes.....	20
	22.3. Usage Conditions Notes.....	21
	22.4. Storage Notes	22
	22.5. Safety Cautions	22
	22.6. Other cautions	22
23.	Packaging.....	24
	23.1. Tape Dimension	24
	23.2. Packing in Tape.....	24
	23.3. Component direction	25
	23.4. Reel Dimension	25

CLASSIFICATION	PRODUCT SPECIFICATION	No. DS-4561-2400-102	REV. I
SUBJECT	MODEM FOR 802.15.4 IEEE STANDARD	PAGE 3 of 34	
CUSTOMER'S CODE PAN4561H /M /L	PANASONIC PART NUMBER ENWC9A22xxEF / .25xx. / .21xx.	DATE 30.05.2016	

23.5. Label for Package.....	26
23.6. Total Packing Handling.....	27
23.7. Cover tape reel strength	27
24. Ordering Information.....	28
24.1. PAN4561H	28
24.2. PAN4561M.....	29
24.3. PAN4561L.....	29
25. RoHS Declaration.....	30
26. Data Sheet Status	30
27. Regulatory Information	30
27.1. FCC Notice.....	30
27.2. Caution.....	31
27.3. Labeling Requirements.....	31
27.4. Antenna Warning.....	31
27.5. Approved Antenna List	32
27.6. RF Exposure PAN4561	32
28. Related Documents	33
29. General Information.....	34
30. Life Support Policy.....	34

CLASSIFICATION	PRODUCT SPECIFICATION	No. DS-4561-2400-102	REV. I
SUBJECT	MODEM FOR 802.15.4 IEEE STANDARD	PAGE 4 of 34	
CUSTOMER'S CODE PAN4561H /M /L	PANASONIC PART NUMBER ENWC9A22xxEF / .25xx. / .21xx.	DATE 30.05.2016	

1. KEY FEATURES

- Short range 2.4GHz ISM band transceiver with microcontroller and reference oscillator
- Provides complete hardware for a wireless node using IEEE802.15.4 packet structure
- Compact size (35.0mm x 15.0mm x 3.8mm)
- 3 antenna options: ceramic antenna onboard, ext. antenna connected to Single port 50Ω or antenna plug
- 16 selectable Channels with 250 kbps in the 2.4 GHz band
- Low power modes for increased battery life
- High sensitivity of -102 dBm typ. at 1% Packet Error Rate (PAN4561H /M)
- +20 dBm max. output power (PAN4561H)
- Programmable output power over a 30 dB range
- Low supply voltage (2.7V to 3.4 V, 3.0 V typ.)
- Operating temperature range -40°C to +85°C
- Link Quality and Clear Channel Assessment capability
- 60k Flash and 4k RAM memory
- 8 channel A/D converter with 10 Bit for fast and easy conversion from analog inputs -such as temperature, pressure and fluid levels- to digital values.
- 5 channel 16 Bit timer/pulse width modulation (TPM) outputs
- BDM port for direct download programming
- In total 39 digital I/O lines most with programmable pull-ups and few with high-current driver.
- Low power modes for increased battery life
- Low battery warning
- Low voltage detect/reset
- Complies to FCC Part 15

2. APPLICATIONS FOR THE MODULE

- Wireless sensor and actuator networks
- Remote control and wire replacement in industrial systems
- Factory and home automation and control
- Inventory and logistics management
- HID (Human Interface Devices)
- Toys
- Home gateways
- Proprietary networking solutions using IEEE802.15.4

CLASSIFICATION	PRODUCT SPECIFICATION	No. DS-4561-2400-102	REV. I
SUBJECT	MODEM FOR 802.15.4 IEEE STANDARD	PAGE 5 of 34	
CUSTOMER'S CODE PAN4561H /M /L	PANASONIC PART NUMBER ENWC9A22xxEF / .25xx. / .21xx.	DATE 30.05.2016	

3. DESCRIPTION OF THE MODULE

The PAN4561with module is a short range, low power, 2.4 GHz ISM band transceiver which includes a complete 802.15.4 physical layer (PHY) modem, designed for the IEEE 802.15.4 wireless standard and an appropriate microcontroller (MCU) with reference oscillator which provides a cost effective solution for short-range data links and networks.

There are three versions of PAN4561 available, identified by an H, M or L at the end of series number i.e. PAN4561H, PAN4561M, PAN4561L. The additional letter stands for High, Mid and Low range.

All modules in the PAN4561 series are based on the FreeScale MC13213 SOC, fully featured with 39 I/O lines, interchangeable and share a common footprint and software. Mixed node networks can be implemented to conserve power while maximizing range. The PAN4561L is a cost optimized module designed for standard range applications of less than 30 meters. For medium range applications the PAN4561M, is optimized to deliver longer range and conserve power consumption, using a low noise amplifier and 10dBm power amplifier. The PAN4561H is designed for extended range applications, using a low noise amplifier and 20dBm power amplifier.

In this document when mentioned PAN4561 the information refers to all three module types. Data which apply only to a specific module (PAN4561 H /M /L) will be marked accordingly.

Software solutions available for the PAN4561 are SNAP software from Synapse Wireless Inc. and SN55 software from E-Senza Technologies GmbH which are very easy to use. For detailed information refer to SNAP [9] and and to SN55 [8].

In addition, you are free to develop also your own application on the software package from Freescale™, e.g. SMAC, for details please refer to [4], [5], [6] and [7].

For the Integrated Development Environment (IDE) the Metrowerks™ CodeWarrior IDE from www.sunnywale.com is required. For device flash programming via the BDM port of PAN4561 the USB HCS08/HCS12 Multilink from www.sunnywale.com is recommended.

CLASSIFICATION	PRODUCT SPECIFICATION	No. DS-4561-2400-102	REV. I
SUBJECT	MODEM FOR 802.15.4 IEEE STANDARD	PAGE 6 of 34	
CUSTOMER'S CODE PAN4561H /M /L	PANASONIC PART NUMBER ENWC9A22xxEF / .25xx. / .21xx.	DATE 30.05.2016	

4. SCOPE OF THIS DOCUMENT

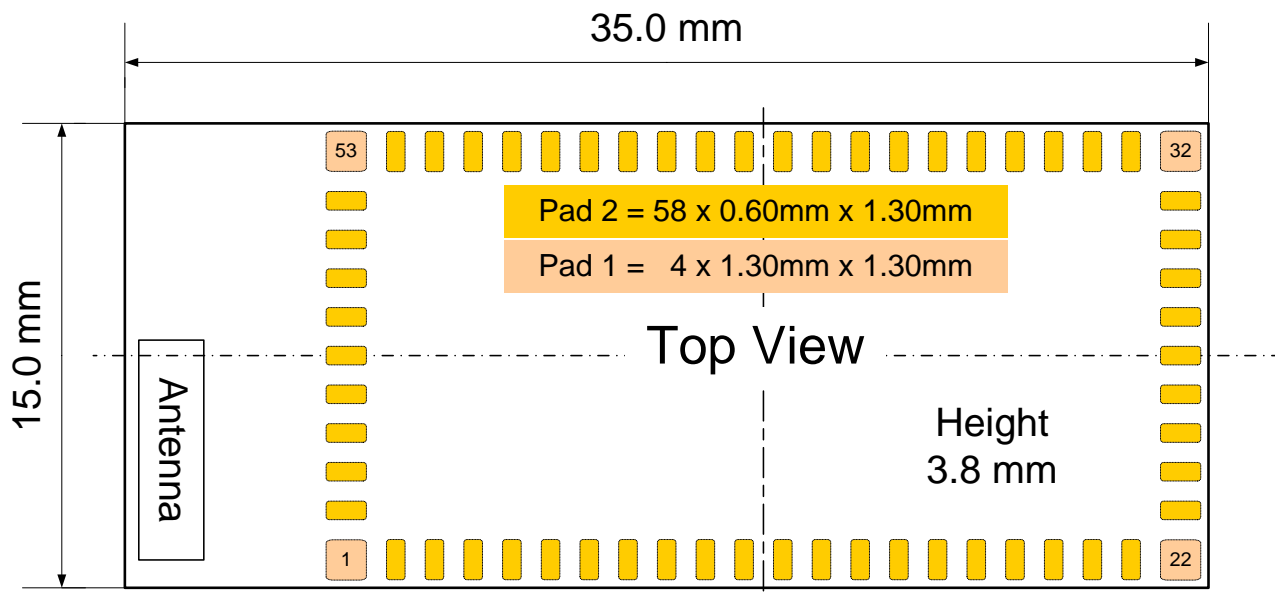
This product specification applies to the IEEE 802.15.4 Standard modem ENWC9A22xxEF. The xx is the indicator for different versions (refer to chapter 25 Ordering Information). The platform used is the MC13213 from the US company Freescale Semiconductor www.freescale.com/ [2], [3]

5. HISTORY FOR THIS DOCUMENT

Revision	Date	Modification / Remarks
A	09.03.2009	Initial draft version
B	20.03.2009	Some minor changes, regarding the specification wording
C	29.04.2009	Change chapter 24, ordering code for Synapse software. Change the crystal value from 26MHz to 16MHz in chapter block diagram, as it was a mistake in this document.
D	08.09.2009	Change chapter 7, regarding hardware dependent software.
E	06.04.2010	Datasheet updated for 4561 PCB revision C (Preliminary)
F	31.05.2010	Added chapter 27 Regulatory Information. Minor changes of module parameters.
G	06.08.2010	Added data for PAN4561M and PAN4561L
H	17.09.2010	Changed receive current consumption values.
I	30.05.2016	Add FCC marking, change transmit current consumption for PAN4561M

CLASSIFICATION	PRODUCT SPECIFICATION	No. DS-4561-2400-102	REV. I
SUBJECT	MODEM FOR 802.15.4 IEEE STANDARD	PAGE 7 of 34	
CUSTOMER'S CODE PAN4561H /M /L	PANASONIC PART NUMBER ENWC9A22xxEF / .25xx. / .21xx.	DATE 30.05.2016	

6. TERMINAL LAYOUT



Please refer also to the MC1321x technical data sheet and reference manual, which is given in [2] and [3] in the chapter “Related Documents”.

Pin No.	Pin	Pin Type	Description
1	GND	I/O	Ground
2	PTD4 / TPM2CH1	Dig. I/O	MCU Port D Bit 4 / TPM2 Channel 1
3	PTD5 / TPM2CH2	Dig. I/O	MCU Port D Bit 5 / TPM2 Channel 2
4	PTD6 / TPM2CH3	Dig. I/O	MCU Port D Bit 6 / TPM2 Channel 3
5	PTD7 / TPM2CH4	Dig. I/O	MCU Port D Bit 7 / TPM2 Channel 4
6	PTD2 / TPM1CH2	Dig. I/O	MCU Port D Bit 2 / TPM1 Channel 2
7	NC		Not connected – leave open
8	PTC0 / TXD2	Dig. I/O	MCU Port C Bit 0 / SCI2 TX data out (UART2)
9	PTC1 / RXD2	Dig. I/O	MCU Port C Bit 1 / SCI2 RX data in (UART2)
10	PTC2 / SDA1	Dig. I/O	MCU Port C Bit 1/ IIC bus data (I ² C)
11	PTC3 / SCL1	Dig. I/O	MCU Port C Bit 1/ IIC bus clock (I ² C)
12	PTB0 / AD1P0	I/O	MCU Port B Bit 0 / ATD analog Channel 0
13	PTB1 / AD1P1	I/O	MCU Port B Bit 1 / ATD analog Channel 1
14	PTB2 / AD1P2	I/O	MCU Port B Bit 2 / ATD analog Channel 2
15	PTB3 / AD1P3	I/O	MCU Port B Bit 3 / ATD analog Channel 3
16	PTB4 / AD1P4	I/O	MCU Port B Bit 4 / ATD analog Channel 4
17	PTB5 / AD1P5	I/O	MCU Port B Bit 5 / ATD analog Channel 5
18	PTB6 / AD1P6	I/O	MCU Port B Bit 6 / ATD analog Channel 6
19	PTB7 / AD1P7	I/O	MCU Port B Bit 7 / ATD analog Channel 7
20	VREFH	I	MCU high reference voltage for ATD
21	VREFL	I	MCU low reference voltage for ATD
22	GND	I/O	Ground
23	Vcc	Power I	Modem voltage regulators' input
24	Vcc	Power I	Modem voltage regulators' input
25	PTG1 / XTAL	Dig. I/O / O	MCU Port G Bit 1 / Crystal oscillator output ⁽²⁾

CLASSIFICATION	PRODUCT SPECIFICATION	No. DS-4561-2400-102	REV. I
SUBJECT	MODEM FOR 802.15.4 IEEE STANDARD	PAGE 8 of 34	
CUSTOMER'S CODE PAN4561H /M /L	PANASONIC PART NUMBER ENWC9A22xxEF / .25xx. / .21xx.	DATE 30.05.2016	

Pin No.	Pin	Pin Type	Description
26	PTG2 / EXTAL	Dig. I/O / I	MCU Port G Bit 2 / Crystal oscillator input ⁽²⁾ ⁽³⁾ ⁽⁴⁾
27	RESET	Dig. I	MCU reset. Active low
28	CLKO	Dig. O	Programmable Clock Output (default: 32,768 kHz) ⁽³⁾
29	GPIO2	Dig. I/O	GPIO2 from RF transceiver unit
30	PTG0 / BKGND / MS	Dig. I/O	MCU Port G Bit 0 / Background / Mode Select ⁽¹⁾
31	GPIO1	Dig. I/O	GPIO1 from RF transceiver unit
32	GND	I/O	Ground
33	VDDA	Power O	Modem analog regulated supply output - leave open
34	PTA7 / KBI1P7	Dig. I/O	MCU Port A Bit 7 / Keyboard Input Bit 7
35	PTA6 / KBI1P6	Dig. I/O	MCU Port A Bit 6 / Keyboard Input Bit 6
36	PTA5 / KBI1P5	Dig. I/O	MCU Port A Bit 5 / Keyboard Input Bit 5
37	PTA4 / KBI1P4	Dig. I/O	MCU Port A Bit 4 / Keyboard Input Bit 4
38	PTA3 / KBI1P3	Dig. I/O	MCU Port A Bit 3 / Keyboard Input Bit 3
39	PTA2 / KBI1P2	Dig. I/O	MCU Port A Bit 2 / Keyboard Input Bit 2
40	PTA1 / KBI1P1	Dig. I/O	MCU Port A Bit 1 / Keyboard Input Bit 1
41	PTA0 / KBI1P0	Dig. I/O	MCU Port A Bit 0 / Keyboard Input Bit 0
42	PTC7 / GPIO	Dig. I/O	MCU Port C Bit 7 (GPIO)
43	PTC6 / GPIO	Dig. I/O	MCU Port C Bit 6 (GPIO)
44	PTC5 / GPIO	Dig. I/O	MCU Port C Bit 5 (GPIO)
45	PTC4 / GPIO	Dig. I/O	MCU Port C Bit 4 (GPIO)
46	PTE0 / TXD1	Dig. I/O	MCU Port E Bit 0 / SCI1 TX data out (UART1)
47	PTE1 / RXD1	Dig. I/O	MCU Port E Bit 1/ SCI1 RX data in (UART1)
48	GPIO5	Dig. I/O	GPIO5 from RF transceiver unit
49	GPIO6	Dig. I/O	GPIO6 from RF transceiver unit
50	GPIO7	Dig. I/O	GPIO7 from RF transceiver unit
51	NC		Not connected – leave open
52	NC		Not connected – leave open
53 - 54	GND	I/O	Ground
55	EXANT	I/O	Pin for external antenna (50 Ω)
56 - 62	GND	I/O	Ground

Note:

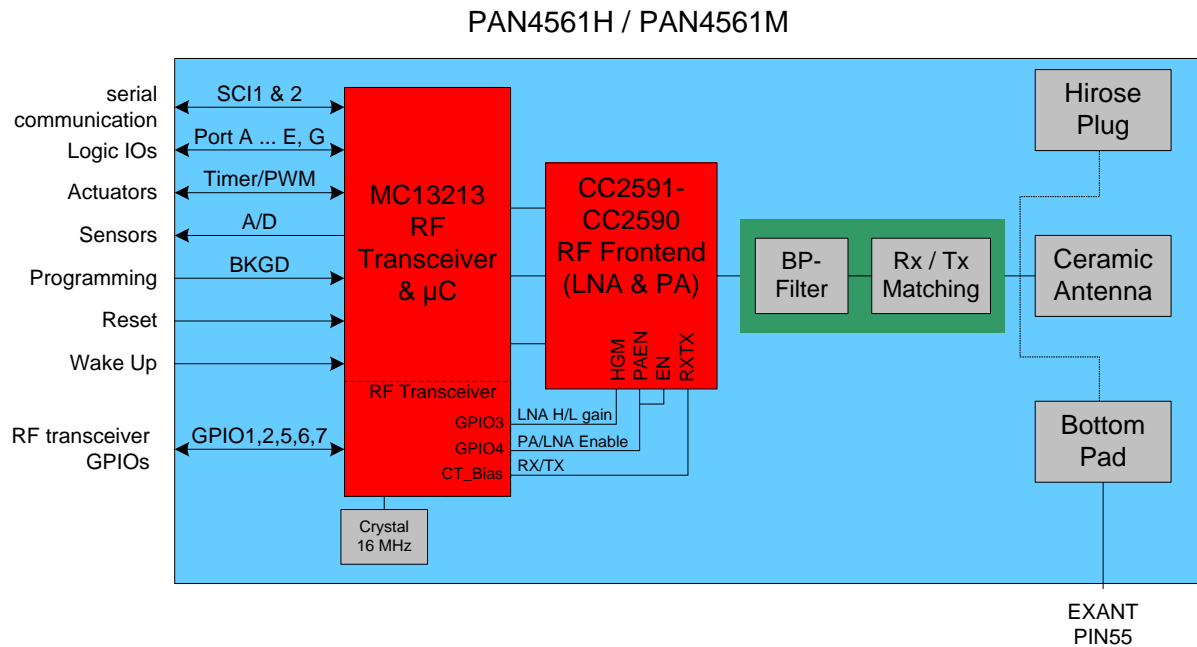
- (1) PTG0 is output only. Pin is I/O when used as BDM function.
- (2) Full I/O when not used as clock source. Please refer also to [2].
- (3) CLKO (Pin 28) and PTG2/EXTAL (Pin 26) must be connected when the programmable clock derived from the internal 16 MHz crystal.
Do not connect when the clock derived from Internal Reference Generator in MC13213.
- (4) PTG2 / EXTAL is not accessible with E-Senza software

Port PTA, PTB, PTC, PTD, PTE, PTG have internal software controlled pull-up resistors. For detailed information refer to [3].

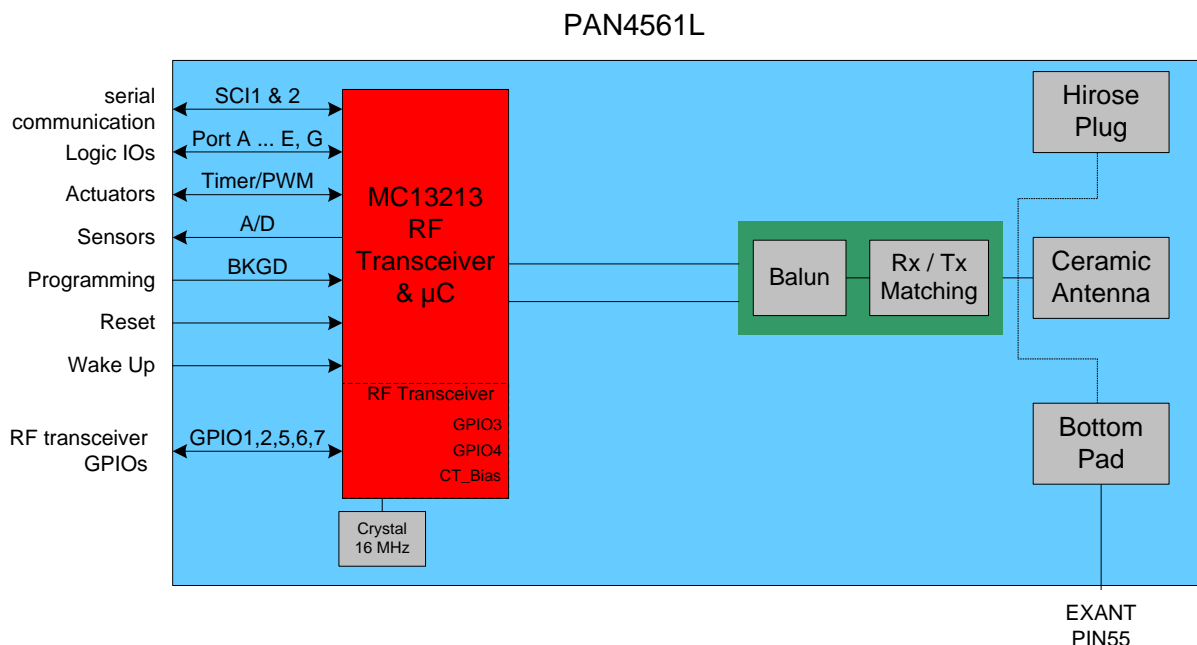
All I/O pins of port PTC are high current pins. The maximum current for all pins together must not exceed 60mA. A continuous current of 7mA, and 25mA burst for each port pin must not be exceeded. For detailed information refer to [3].

CLASSIFICATION	PRODUCT SPECIFICATION	No. DS-4561-2400-102	REV. I
SUBJECT	MODEM FOR 802.15.4 IEEE STANDARD	PAGE 9 of 34	
CUSTOMER'S CODE PAN4561H / M / L	PANASONIC PART NUMBER ENWC9A22xxEF / .25xx. / .21xx.	DATE 30.05.2016	

7. BLOCK DIAGRAM



The RF frontend IC CC2591 / CC2590 is controlled with GPIO3, GPIO4 and CT_Bias from RF transceiver unit (see above block diagram).



The MC13213 is used in single port configuration with its internal Tx/Rx switch.

For more details refer to chapter 7.1.

CLASSIFICATION	PRODUCT SPECIFICATION	No. DS-4561-2400-102	REV. I
SUBJECT	MODEM FOR 802.15.4 IEEE STANDARD	PAGE 10 of 34	
CUSTOMER'S CODE PAN4561H /M /L	PANASONIC PART NUMBER ENWC9A22xxEF / .25xx. / .21xx.	DATE 30.05.2016	

7.1. SOFTWARE DIFFERENCES

7.1.1. Test / Demo software

Modules with Test / Demo software are intended for customer writing their own software for the module. The module contains software but only with a small instruction set.

The front end IC CC2591 / CC2590 is enabled and disabled with RF transceiver GPIO4. Set high to enable and low to disable the chip. Please refer to appendix [10].

The LNA has two modes, high and low gain. This mode is controlled with RF transceiver GPIO3. Set it high for high gain and low for low gain mode. Please refer to appendix [10].

The RXTX signal on CC2591 and CC2590 is controlled by CT_Bias pin. Please refer to appendix [10].

7.1.2. E-Senza software

Modules with E-Senza software can be used to set up a measurement system easily with a GUI.

With this software it is not possible to set the modules into energy saving sleep mode.

7.1.3. Synapse software

With Synapse software the customer writes his own scripts based on easy to learn, Python based, programming language. This software is very flexible and can be used for multiple applications.

The control of PA/LNA is primary supported from version [SNAPv2.2.15 or newer](#).

The Synapse software on the module provides several initializing parameters called NV-parameters. These are already set. For detailed information refer to SNAP Reference Manual [9].

To comply to FCC regulation the power level has to be reduced to txPwr(14) for PAN4561H. For detailed information on FCC compliance refer to chapter 27. Regulatory Information.

Synapse Wireless Inc. probably releases two to three times a year a new SNAP release. **PAN4561 modules will always be shipped with the [newest SNAP version](#).**

CLASSIFICATION	PRODUCT SPECIFICATION	No. DS-4561-2400-102	REV. I
SUBJECT	MODEM FOR 802.15.4 IEEE STANDARD	PAGE 12 of 34	
CUSTOMER'S CODE PAN4561H /M /L	PANASONIC PART NUMBER ENWC9A22xxEF / .25xx. / .21xx.	DATE 30.05.2016	

10. ABSOLUT MAXIMUM RATINGS

The maximum ratings may not be exceeded under any circumstances (not even momentarily) as permanent damage to the module will result.

No.	Item	Symbol	Absolute Maximum Ratings	Unit
1	Supply voltage	V_{CC}	-0.3 to +3.6	Vdc
2	Ripple on V_{CC}	V_{CCrip}	tbd ⁽²⁾ (ripple frequency $\geq 200kHz$)	mVpp
3	Digital input voltages	V_{in}	-0.3 to $V_{CC}+0.3$	Vdc
4	Instantaneous maximum current Single pin limit for all digital I/O pins ⁽¹⁾	I_{BDB}	± 25	mAdc
5	Storage temperature range	T_{stg}	-40 to +105	°C
6	Operating temperature range	T_{op}	-40 to +85	°C
7	RF Input Power	P_{max}	10	dBm
8	ESD on any pin except for pin 32 EXANT. Human Body Model (HBM)	V_{THHBM}	± 2	kV
9	Moisture Sensitivity Level	MSL	3 (168 hours)	

Notes:

- (1) Input must be current limited to the value specified. Please refer also to [2].
- (2) The supply voltage must be free of AC ripple voltage (for example from a battery or a low noise regulator output). For noisy supply voltages, please provide a decoupling circuit (for example a ferrite in series connection and a blocking capacitor to ground of at least 47 μ F directly at the module). The exact ripple tolerance will be published in a later revision.

11. OPERATING CONDITIONS

No.	Item	Condition / Remark	Symbol	Value			Unit
				Min	Typ	Max	
1	Supply voltage	The typical value is recommended	V_{CC}	2.7	3.0	3.4	Vdc
2	RF Input Frequency		f_{in}	2400		2483.5	MHz
3	Return loss of load at pin 55 EXANT	Receive/Transmit Mode to 50 Ω reference load	a	-9.5			dB
4	Logic Input Voltage Low		V_{IL}	0		0.3x V_{CC}	V
5	Logic Input Voltage High		V_{IH}	0.7x V_{CC}		V_{CC}	V
6	SPI clock rate	The typical value is recommended	f_{SPI}	-	-	8.0	MHz
7	Operating temperature range		T_{op}	-40		+85	°C

CLASSIFICATION	PRODUCT SPECIFICATION	No. DS-4561-2400-102	REV. I
SUBJECT	MODEM FOR 802.15.4 IEEE STANDARD	PAGE 13 of 34	
CUSTOMER'S CODE PAN4561H /M /L	PANASONIC PART NUMBER ENWC9A22xxEF / .25xx. / .21xx.	DATE 30.05.2016	

12. DC ELECTRICAL CHARACTERISTICS

Assume $V_{CC} = 3.0V$, $T_{amb} = 25^{\circ}C$ if nothing else stated

No.	Item	Condition / Remark	Symbol	Module type	Value			Unit
					Min	Typ	Max	
1	Transmit current consumption	Transmit Mode ⁽⁸⁾	I_{CCT}	PAN4561H @ 20dBm ⁽¹⁾	-	200	240	mA
				PAN4561M @ 10dBm	-	72	90	
				PAN4561L @ 0dBm	-	43	50	
2	Receive current consumption	Receive Mode ⁽⁸⁾ (8)	I_{CCR}	PAN4561H	-	60	70	mA
				PAN4561M	-	60	70	
				PAN4561L	-	60	70	
3	Low power current consumption	Off ⁽²⁾⁽⁴⁾ (4)	$I_{leakage}$	PAN4561H	-	0.55	'-	μA
				PAN4561M	-	0.55	'-	
				PAN4561L	-	0.55	'-	
		Sleep ⁽²⁾⁽⁵⁾⁽⁹⁾	I_{CCH}	PAN4561H	-	2.2	'-	μA
				PAN4561M	-	2.2	'-	
				PAN4561L	-	2.2	'-	
		Standby ⁽²⁾⁽³⁾⁽⁶⁾⁽⁹⁾	I_{CCD}	PAN4561H	-	36,3	'-	μA
				PAN4561M	-	36,3	'-	
				PAN4561L	-	36,3	'-	
		Idle ⁽⁷⁾⁽⁷⁾	I_{CCI}	PAN4561H	-	1.6	'-	mA
				PAN4561M	-	1.6	'-	
				PAN4561L	-	1.6	'-	
4	digital I/O pin characteristics			Please refer to [2] 6.3.1 MCU DC Characteristics				
6	Low voltage warning/detection			Please refer to [2] 6.3.1 MCU DC Characteristics				
	Power on reset re-arm voltage							

Notes:

- (1) SPI Register 12 has a value of 0xDC which sets output power to nominal value.
- (2) To attain specified low power current, all GPIOs and other digital IO must be handled properly. Set all port pins as output low when left open or as input when connected to defined level. Detailed descriptions can be found at [2] at section 7.2 Low Power Considerations.
- (3) CLKO frequency is set to a default value of 32.786 kHz.
- (4) Off mode: Stop1 on μC , Modem off [3]. Wakeup by IRQ or Reset
- (5) Sleep mode: Stop2 + RTC on μC , Modem Hibernate [3]. Wakeup by IRQ, Reset or Real-Time-Interrupt
- (6) Standby mode: Stop3 + RTC on μC , Modem Doze [3]. Wakeup by IRQ, Reset, RTI or Keyboard Interrupt
- (7) Idle mode: μC runs at reduced 2 MHz clock, Modem is in Idle state [3]
- (8) μC runs in full speed mode (16 MHz clock)
- (9) RTC requires external 32 kHz crystal. Without RTC 300nA less current

CLASSIFICATION	PRODUCT SPECIFICATION	No. DS-4561-2400-102	REV. I
SUBJECT	MODEM FOR 802.15.4 IEEE STANDARD	PAGE 14 of 34	
CUSTOMER'S CODE PAN4561H /M /L	PANASONIC PART NUMBER ENWC9A22xxEF / .25xx. / .21xx.	DATE 30.05.2016	

13. A/D CONVERTER CHARACTERISTICS

No	Item	Remark
1	ATD characteristics	Please refer to [2] 6.3.3 MCU ATD Characteristics
2	ATD timing/performance characteristics	Please refer to [2] 6.3.3 MCU ATD Characteristics

The A/D high reference voltage VREFH is connected to pin 20 (VREFH). Connect this signal primarily to Vcc.

The A/D low reference voltage VREFL is connected to pin 21 (VREFL). Connect this signal primarily to GND

14. AC ELECTRICAL CHARACTERISTICS

$V_{CC} = 3.0V$, $T_{amb} = 25^{\circ}C$, 50Ω load at EXANT, for all channel numbers 11,12,..., 26 according to [1]

No	Receiver	Module type	Limit			Unit
			Min	Typ	Max	
1	Sensitivity for 1% Packet Error Rate (PER), -85dBm required by [1]	PAN4561H	-85	-102	-105	dBm
		PAN4561M	-85	-102	-105	
		PAN4561L	-85	-92	-	
2	Saturation (maximum input level)	All	-	10	-	dBm
3	Adjacent Channel Interference for 1% PER ($\pm 5MHz$; desired signal -82dBm)	All	-	29	-	dB
4	Alternate Channel Interference for 1% PER ($\pm 10MHz$; desired signal -82dBm)	All	-	40	-	dB
5	Frequency Error Tolerance	All	-	-	200	kHz
6	Symbol Rate Error Tolerance	All	-	-	80	ppm
8	Spurious Emissions <1GHz	All	-	-	-57	dBm
9	Spurious Emissions >1GHz	All	-	-	-47	dBm

CLASSIFICATION	PRODUCT SPECIFICATION	No. DS-4561-2400-102	REV. I
SUBJECT	MODEM FOR 802.15.4 IEEE STANDARD	PAGE 15 of 34	
CUSTOMER'S CODE PAN4561H /M /L	PANASONIC PART NUMBER ENWC9A22xxEF / .25xx. / .21xx.	DATE 30.05.2016	

No	Transmitter	Module type	Limit			Unit
			Min	Typ	Max	
1	Maximum Output Power ⁽¹⁾	PAN4561H	-	20 ⁽³⁾	22 ⁽³⁾	dBm
		PAN4561M	-	10	-	
		PAN4561L	-	0	-	
2	Nominal Output Power ⁽²⁾	PAN4561H	-	18.5	-	dBm
		PAN4561M	-	9.5	-	
		PAN4561L	-	0	-	
3	Error Vector Magnitude (EVM)		-	25	35	%
4	Power Control Range		-	30	-	dB
5	Over the Air Data Rate		-	250	-	kbps
6	2 nd harmonic @ maximum output power		-	-45	-35	dBm
7	3 rd harmonic @ maximum output power		-	-45	-35	dBm
8	Spurious Emissions <1GHz		-	< -40	-36	dBm
9	Spurious Emissions >1GHz		-	< -40	-30	dBm

No	Stand By	Limit			Unit
		Min	Typ	Max	
1	Spurious Emissions <1GHz	-	< -60	-57	dBm
2	Spurious Emissions >1GHz	-	< -50	-47	dBm

Notes:

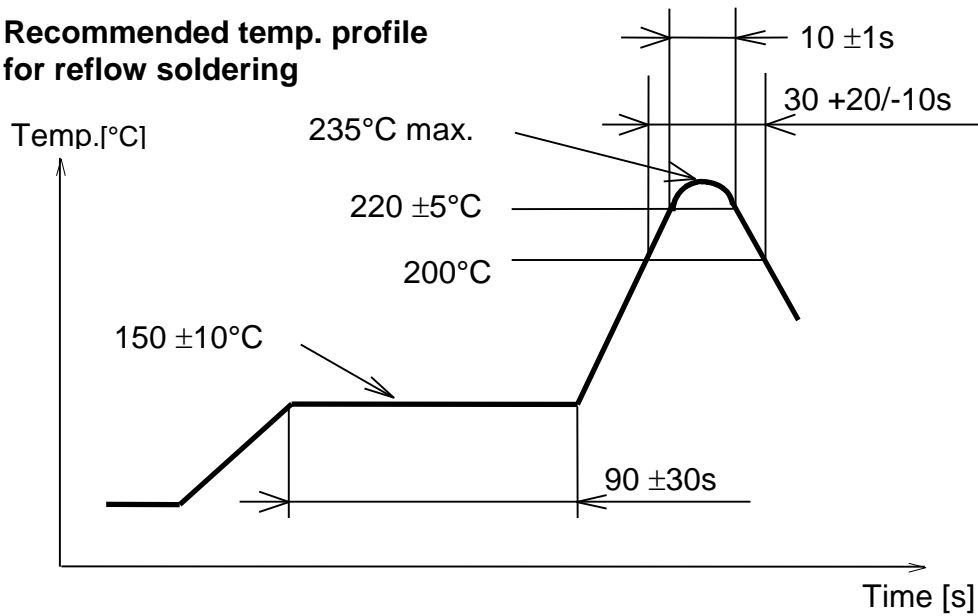
- (1) SPI Register 12 programmed to 0xFF which sets output power to maximum.
Measured at pin EXANT for the SMD pad version.
- (2) SPI Register 12 programmed to 0xDC which sets output power to nominal value (maximum allowed value to comply with FCC regulation).
Measured at pin EXANT for the SMD pad version.
- (3) You have to follow your own national regulation, please check before finalizing the max. output power by setting the right register value.

CLASSIFICATION	PRODUCT SPECIFICATION	No. DS-4561-2400-102	REV. I
SUBJECT	MODEM FOR 802.15.4 IEEE STANDARD	PAGE 16 of 34	
CUSTOMER'S CODE PAN4561H /M /L	PANASONIC PART NUMBER ENWC9A22xxEF / .25xx. / .21xx.	DATE 30.05.2016	

15. SOLDERING TEMPERATURE - TIME PROFILE (FOR REFLOW SOLDERING)

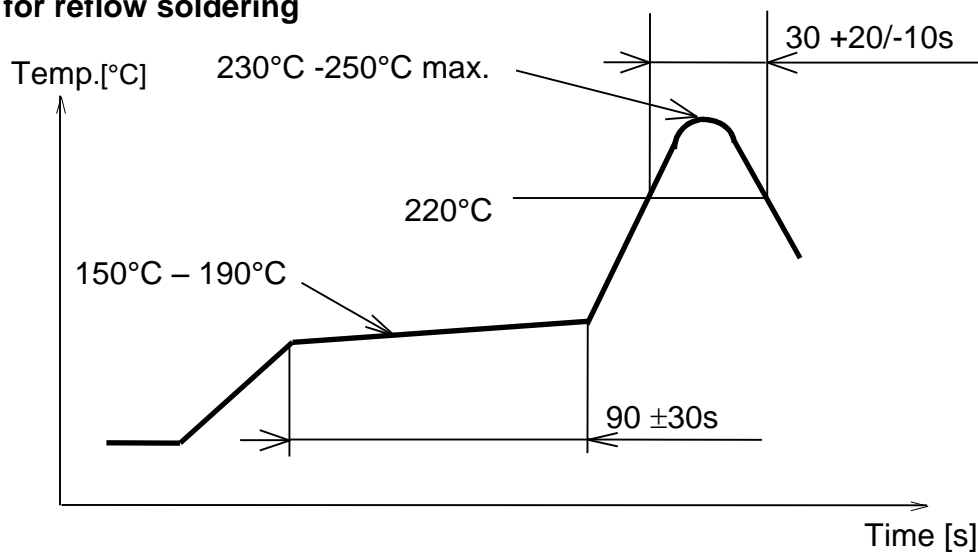
15.1. FOR LEAD SOLDER

Recommended temp. profile for reflow soldering



15.2. FOR LEAD FREE SOLDER

Our used temp. profile for reflow soldering



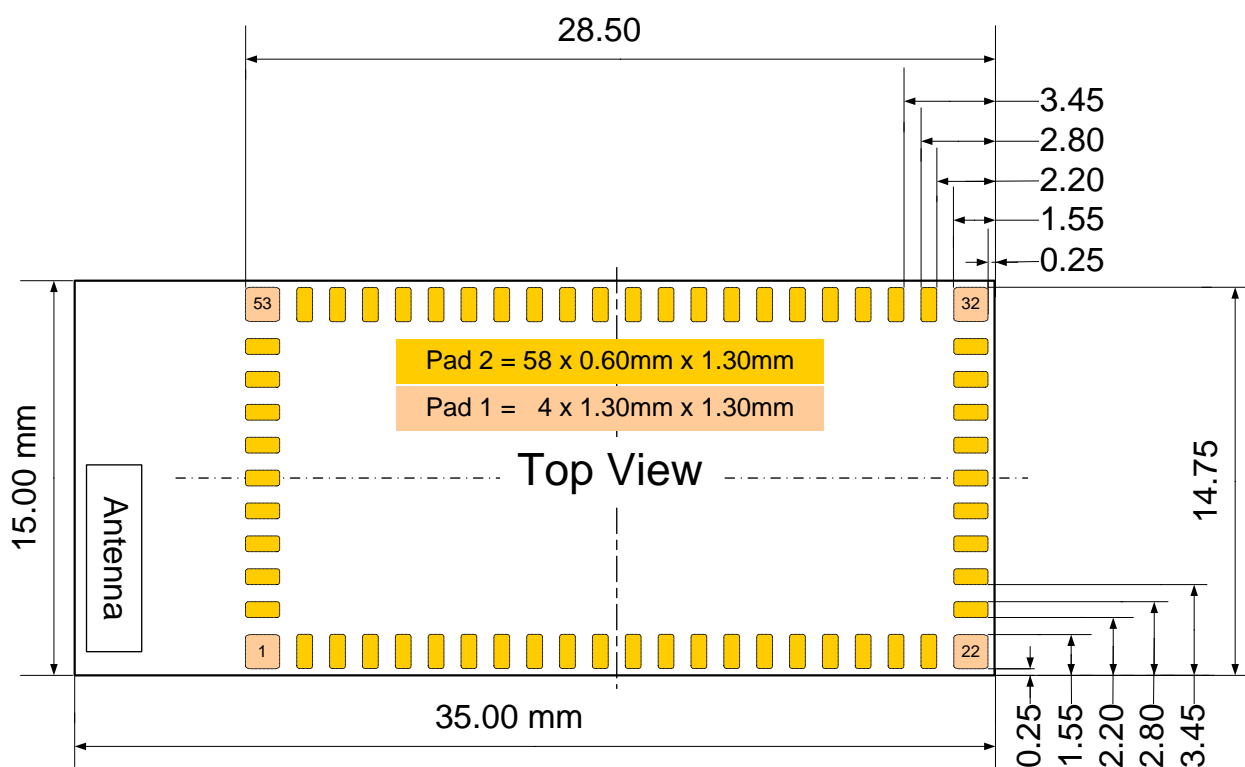
Reflow permissible cycles: 2
 Opposite side reflow is prohibited due to the module weight.

CLASSIFICATION	PRODUCT SPECIFICATION	No. DS-4561-2400-102	REV. I
SUBJECT	MODEM FOR 802.15.4 IEEE STANDARD	PAGE 17 of 34	
CUSTOMER'S CODE PAN4561H /M /L	PANASONIC PART NUMBER ENWC9A22xxEF / .25xx. / .21xx.	DATE 30.05.2016	

16. MODULE DIMENSIONS

No.	Item	Dimension	Tolerance	Remark
1	Width	15.00	± 0.25	
2	Lenght	35.00	± 0.25	
3	Height	3.80	± 0.25	With case

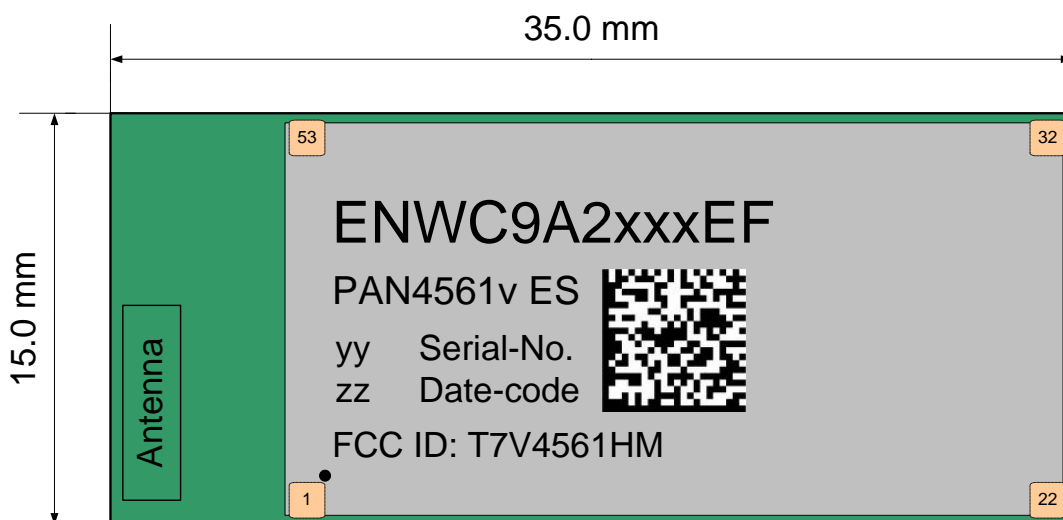
17. FOOTPRINT OF THE MODULE



All dimensions are in millimeters.
The outer dimensions have a tolerance of ± 0.25mm.

CLASSIFICATION	PRODUCT SPECIFICATION	No. DS-4561-2400-102	REV. I
SUBJECT	MODEM FOR 802.15.4 IEEE STANDARD	PAGE 18 of 34	
CUSTOMER'S CODE PAN4561H /M /L	PANASONIC PART NUMBER ENWC9A22xxEF / .25xx. / .21xx.	DATE 30.05.2016	

18. LASER MARKING



The 2D-Barcode contains the following information separated by a semicolon:

Value	Description
Date-code	Date code in the format Year-Month-Day [YYMMDD]
Serial-No.	Serial number [7 signs, here 0000000]
ENWC9A2xxxEF	Ordering number [8 signs; without ENW and F, please refer also to chapter 24]
v	Module type: H, M or L (for High, Mid and Low power)
yy	The identifier for the hardware release [2 signs, here yy]
zz	The identifier for the software release [2 signs, here zz]

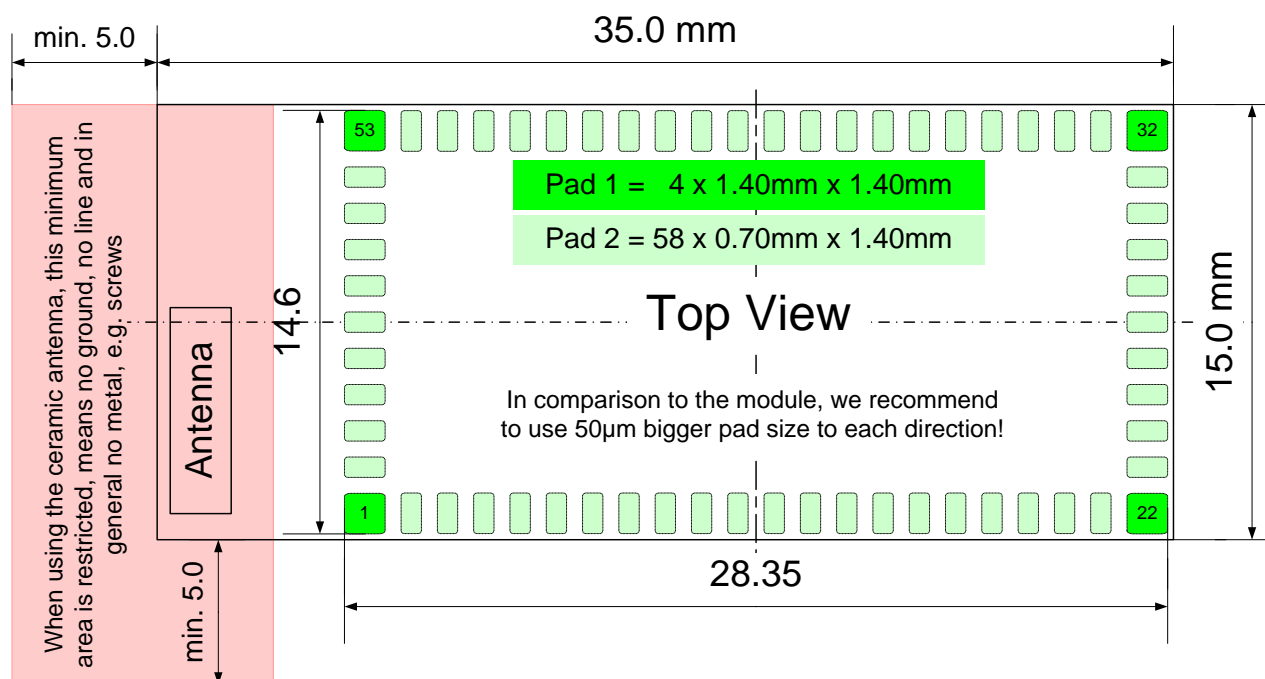
The point on the marking (below left) is the identifier for pin 1 of the module.

19. MECHANICAL REQUIREMENTS

No.	Item	Limit	Condition
1	Solderability	More than 75% of the soldering area shall be coated by solder	Reflow soldering with recommendable temperature profile

CLASSIFICATION	PRODUCT SPECIFICATION	No. DS-4561-2400-102	REV. I
SUBJECT	MODEM FOR 802.15.4 IEEE STANDARD	PAGE 19 of 34	
CUSTOMER'S CODE PAN4561H /M /L	PANASONIC PART NUMBER ENWC9A22xxEF / .25xx. / .21xx.	DATE 30.05.2016	

20. RECOMMENDED LAND PATTERN



Dimensions in millimeters.

The land pattern dimensions above are meant to serve only as a guide. This information is provided without any legal liability.

For the footprint, it is recommended to incorporate a 50µm bigger size for the pads in each direction compared to the module footprint. Please refer to chapter 17. Foot Print of the Module.

For the solder paste screen, please use the same screen for the module. Solder paste screen cutouts (with slightly different dimensions) might be optimum depending on your soldering process. For example, the chosen solder paste screen thickness might have an effect. The solder screen thickness depends on your production standard. We recommend 120µm to 150µm.

IMPORTANT:

Although the bottom side of PAN4561 is fully coated, no copper such as through hole vias, planes or tracks on the board component layer should be located below the PAN4561 to avoid creating a short. In cases where a track or through hole via has to be located under the module, please make a note that it has to be kept away from PAN4561 bottom pads. The PAN4561 multilayer pcb contains an inner RF shielding plane, therefore no pcb shielding plane below the module is needed.

When using the antenna pad version, place the antenna on the edge of your carrier board (if allowable).

If you have any questions on these points, please contact your local Panasonic representative.

Before releasing the layout, we recommend to send the schematic and layout for final check to awin@sunnywale.com.

CLASSIFICATION	PRODUCT SPECIFICATION	No. DS-4561-2400-102	REV. I
SUBJECT	MODEM FOR 802.15.4 IEEE STANDARD	PAGE 20 of 34	
CUSTOMER'S CODE PAN4561H /M /L	PANASONIC PART NUMBER ENWC9A22xxEF / .25xx. / .21xx.	DATE 30.05.2016	

21. RELIABILITY TESTS

The measurement should be done after being exposed to room temperature and humidity for 1 hour.

Die Messungen sollten erst nach einer Stunde Lagerung unter normalen Bedingungen erfolgen.

No.	Item	Limit	Condition
1	Vibration test	Electrical parameter should be in specification	a) Freq.:10~50Hz,Amplitude:1.5mm a) 20min. / cycle,1hrs. each of XYZ axis b) Freq.:30~100Hz, 6G b) 20min. / cycle,1hrs. each of XYZ axis
2	Shock test	the same as above	Dropped onto hard wood from height of 50cm for 3 times
3	Heat cycle test	the same as above	-40°C for 30min. and +85°C for 30min.; each temperature 300 cycles
4	Moisture test	the same as above	+60°C, 90% RH, 300h
5	Low temp. test	the same as above	-40°C, 300h
6	High temp. test	the same as above	+85°C, 300h

22. CAUTIONS

Failure to do so may result in degrading of the product's functions and damage to the product.

22.1. DESIGN NOTES

- (1) Please follow the conditions written in this specification, especially the control signals of this module.
- (2) The supply voltage has to be free of AC ripple voltage (for example from a battery or a low noise regulator output). For noisy supply voltages, provide a decoupling circuit (for example a ferrite in series connection and a blocking capacitor to ground of at least 47uF directly at the module).
- (3) This product should not be mechanically stressed when installed.
- (4) Heat is the major cause of shortening the life of these products. Please keep this product away from heat.
Avoid assembly and use of the target equipment in conditions where the products' temperature may exceed the maximum tolerance.
- (5) The supply voltage should not be exceedingly high or reversed. It should not carry noise and/or spikes.
- (6) Please keep this product away from other high frequency circuits.

22.2. INSTALLATION NOTES

- (1) Reflow soldering is possible twice based on the conditions in chapter 15.
Please set up the temperature at the soldering portion of this product according to this reflow profile.
- (2) Carefully position the products so that their heat will not burn into printed circuit boards or affect the other components that are susceptible to heat.
- (3) Carefully locate these products so that their temperatures will not increase due to the effects of heat generated by neighboring components.

CLASSIFICATION	PRODUCT SPECIFICATION	No. DS-4561-2400-102	REV. I
SUBJECT	MODEM FOR 802.15.4 IEEE STANDARD	PAGE 21 of 34	
CUSTOMER'S CODE PAN4561H /M /L	PANASONIC PART NUMBER ENWC9A22xxEF / .25xx. / .21xx.	DATE 30.05.2016	

- (4) If a vinyl-covered wire comes into contact with the products, then the cover will melt and generate toxic gas, damaging the insulation. Never allow contact between the cover and these products to occur.
- (5) This product should not be mechanically stressed or vibrated when reflowed.
- (6) If you want to repair your board by hand soldering, please keep the conditions of this chapter.
- (7) Please do not wash this product.
- (8) Please refer to the recommended pattern when designing a board.
- (9) Pressing on parts of the metal cover or fastening objects to the metal will cause damage to the unit.

22.3. USAGE CONDITIONS NOTES

- (1) Please take measures to protect the unit against static electricity.
If pulses or other transient loads (a large load applied in a short time) are applied to the products, check and evaluate their operation before assembly on the final products.
- (2) Please do not use dropped products.
- (3) Please do not touch, damage or place dirt on the pins.
- (4) Please follow the recommended condition ratings about the power supply applied to this product.
- (5) Electrode peeling strength: Do not add pressure of more than 4.9N when soldered on PCB.
- (6) Pressing on parts of the metal cover or fastening objects to the metal cover will cause damage.
- (7) These products are intended for general purpose and standard use in general electronic equipment, such as home appliances, office equipment, information and communication equipment.

CLASSIFICATION	PRODUCT SPECIFICATION	No. DS-4561-2400-102	REV. I
SUBJECT	MODEM FOR 802.15.4 IEEE STANDARD	PAGE 22 of 34	
CUSTOMER'S CODE PAN4561H /M /L	PANASONIC PART NUMBER ENWC9A22xxEF / .25xx. / .21xx.	DATE	30.05.2016

22.4. STORAGE NOTES

- (1) The module may not be stressed mechanically during storage.
- (2) Do not store these products in the following conditions or the performance characteristics of the product, such as RF performance will be adversely affected:
 - Storage in salty air or in an environment with a high concentration of corrosive gas, such as Cl₂, H₂S, NH₃, SO₂, or NO_X
 - Storage in direct sunlight
 - Storage in an environment where the temperature may be outside the range of 5°C to 35°C range, or where the humidity may be outside the 45 to 85% range.
 - Storage of the products for more than one year after the date of delivery at your company if the avoidance all the above conditions (1) to (3) have been met.
- (3) Storage period: Please check the adhesive strength of the embossed tape and soldering after 6 months of storage.
- (4) Please keep this product away from water, poisonous gas and corrosive gas.
- (5) This product should not be stressed or shocked when transported.
- (6) Please follow the specification when stacking packed crates (max. 10).

22.5. SAFETY CAUTIONS

These specifications are intended to preserve the quality assurance of products and individual components.

Before use, check and evaluate the operation when mounted on your products. Abide by these specifications, without deviation when using the products. These products may short-circuit. If electrical shocks, smoke, fire, and/or accidents involving human life are anticipated when a short circuit occurs, then provide the following failsafe functions, as a minimum.

- (1) Ensure the safety of the whole system by installing a protection circuit and a protection device.
- (2) Ensure the safety of the whole system by installing a redundant circuit or another system to prevent a single fault causing an unsafe status.

22.6. OTHER CAUTIONS

- (1) This specification sheet is copyrighted. Please do not disclose it to a third party.
- (2) Please do not use the products for other purposes than those listed.
- (3) Be sure to provide an appropriate fail-safe function on your product to prevent an additional damage that may be caused by the abnormal function or the failure of the product.
- (4) This product has not been manufactured with any ozone chemical controlled under the Montreal Protocol.
- (5) These products are not intended for other uses, other than under the special conditions shown below. Before using these products under such special conditions, check their performance and reliability under the said special conditions carefully to determine whether or not they can be used in such a manner.
 - In liquid, such as water, salt water, oil, alkali, or organic solvent, or in places

CLASSIFICATION	PRODUCT SPECIFICATION	No. DS-4561-2400-102	REV. I
SUBJECT	MODEM FOR 802.15.4 IEEE STANDARD	PAGE 23 of 34	
CUSTOMER'S CODE PAN4561H /M /L	PANASONIC PART NUMBER ENWC9A22xxEF / .25xx. / .21xx.	DATE 30.05.2016	

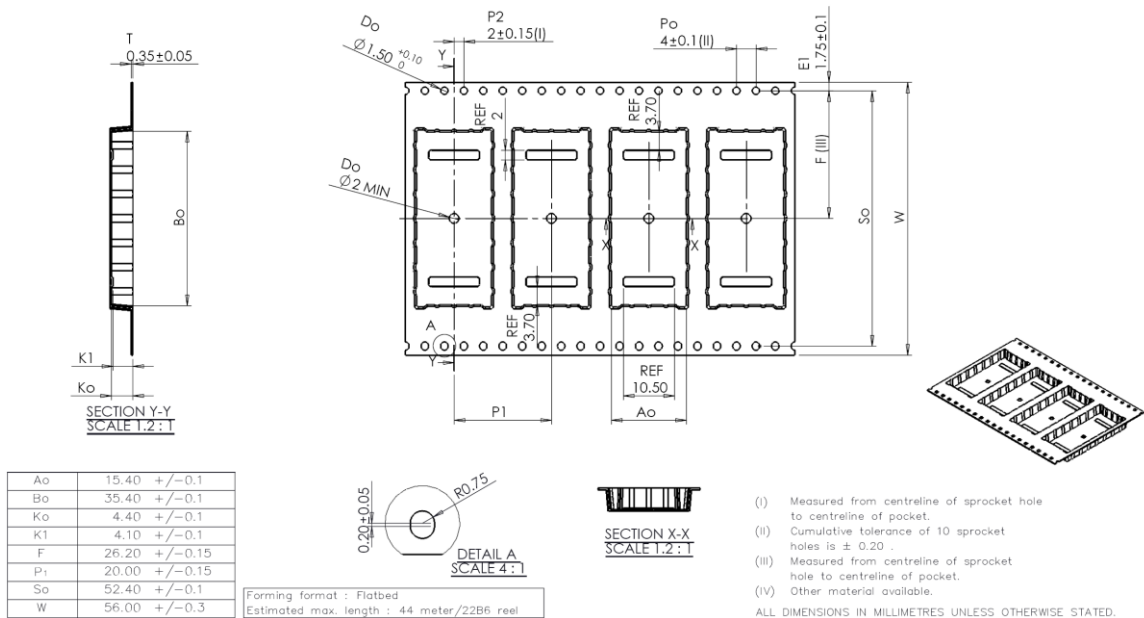
where liquid may splash.

- In direct sunlight, outdoors, or in a dusty environment
 - In an environment where condensation occurs.
 - In an environment with a high concentration of harmful gas (e.g. salty air, HCl, Cl₂, SO₂, H₂S, NH₃, and NO_x)
- (6) If an abnormal voltage is applied due to a problem occurring in other components or circuits, replace these products with new products because they may not be able to provide normal performance even if their electronic characteristics and appearances appear satisfactory.
- (7) When you have any question or uncertainty, both of you and Panasonic sincerely cope with it.

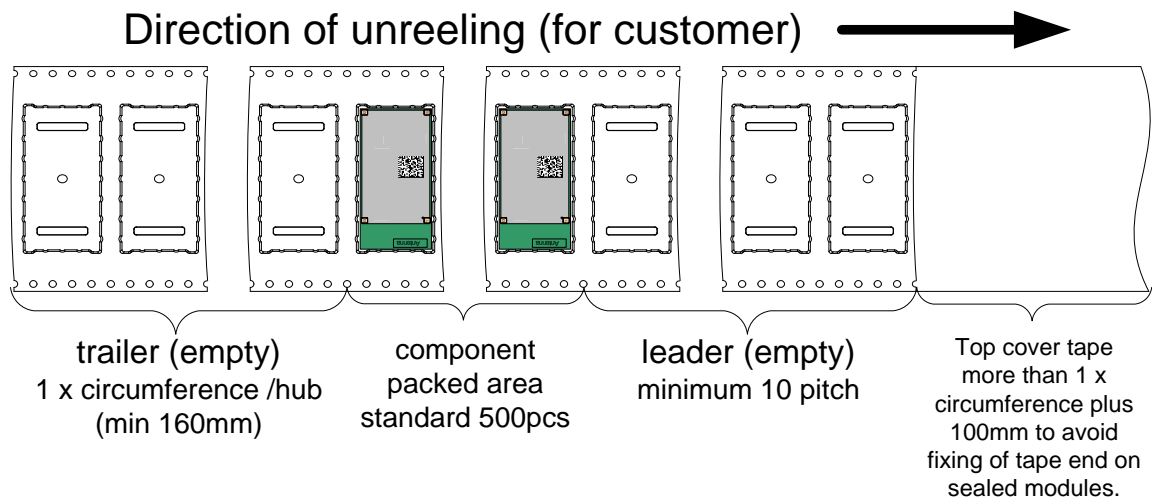
CLASSIFICATION	PRODUCT SPECIFICATION	No. DS-4561-2400-102	REV. I
SUBJECT	MODEM FOR 802.15.4 IEEE STANDARD	PAGE 24 of 34	
CUSTOMER'S CODE PAN4561H /M /L	PANASONIC PART NUMBER ENWC9A22xxEF / .25xx. / .21xx.	DATE 30.05.2016	

23. PACKAGING

23.1. TAPE DIMENSION



23.2. PACKING IN TAPE

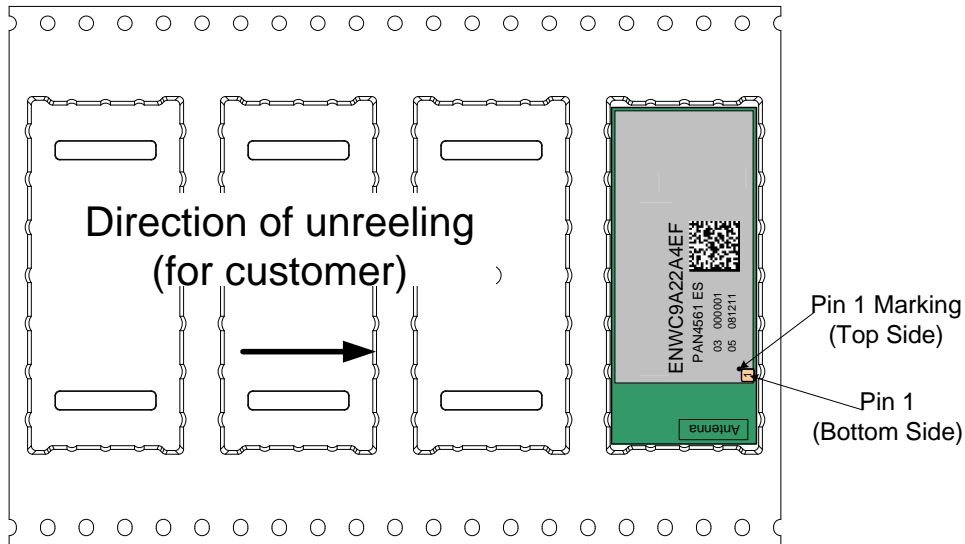


Empty spaces in component packed area shall be less than two per reel and those spaces shall not be consecutive.

Top cover tape shall not be found on reel holes and shall not stick out from reel.

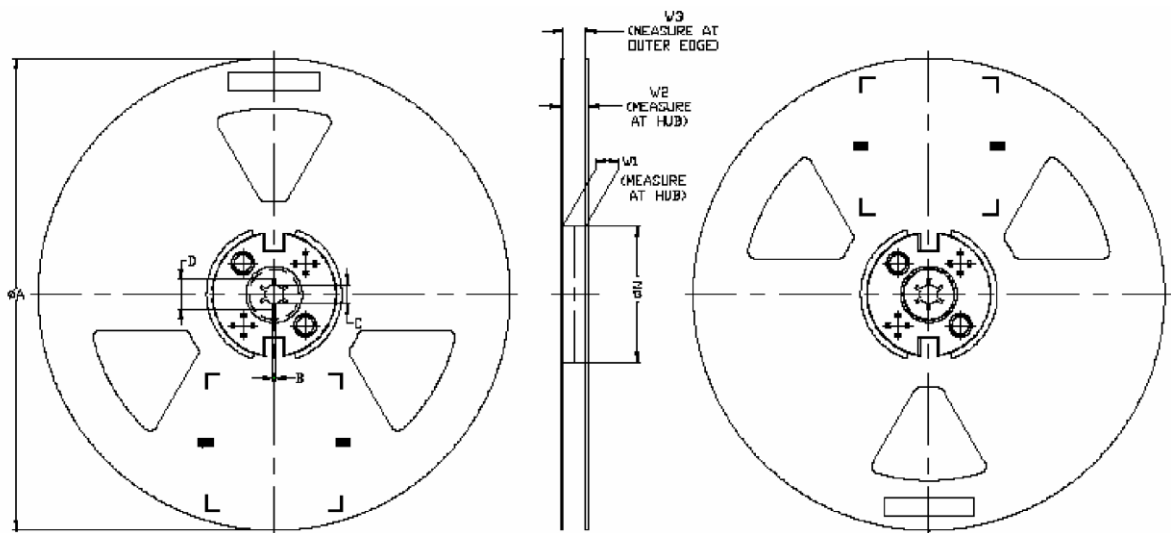
CLASSIFICATION	PRODUCT SPECIFICATION	No. DS-4561-2400-102	REV. I
SUBJECT	MODEM FOR 802.15.4 IEEE STANDARD	PAGE 25 of 34	
CUSTOMER'S CODE PAN4561H /M /L	PANASONIC PART NUMBER ENWC9A22xxEF / .25xx. / .21xx.	DATE 30.05.2016	

23.3. COMPONENT DIRECTION



Please refer also to chapter 18. Labeling Drawing

23.4. REEL DIMENSION



TAPE SIZE	A MAX	B MIN	C	D MIN	N ±1.0	W1	W2 MAX	W3	Assembly Method
24mm	330.0	1.5	13 ^{+0.5} -0.2	20.2	100.0	25.0 ^{+2.0} -0.0	30.4	24.4 ^{+3.0} -0.5	*Latch

All dimensions in millimeters unless otherwise stated

*Latch (2PC)

CLASSIFICATION	PRODUCT SPECIFICATION	No. DS-4561-2400-102	REV. I
SUBJECT	MODEM FOR 802.15.4 IEEE STANDARD	PAGE 26 of 34	
CUSTOMER'S CODE PAN4561H /M /L	PANASONIC PART NUMBER ENWC9A22xxEF / .25xx. / .21xx.	DATE 30.05.2016	

23.5. LABEL FOR PACKAGE

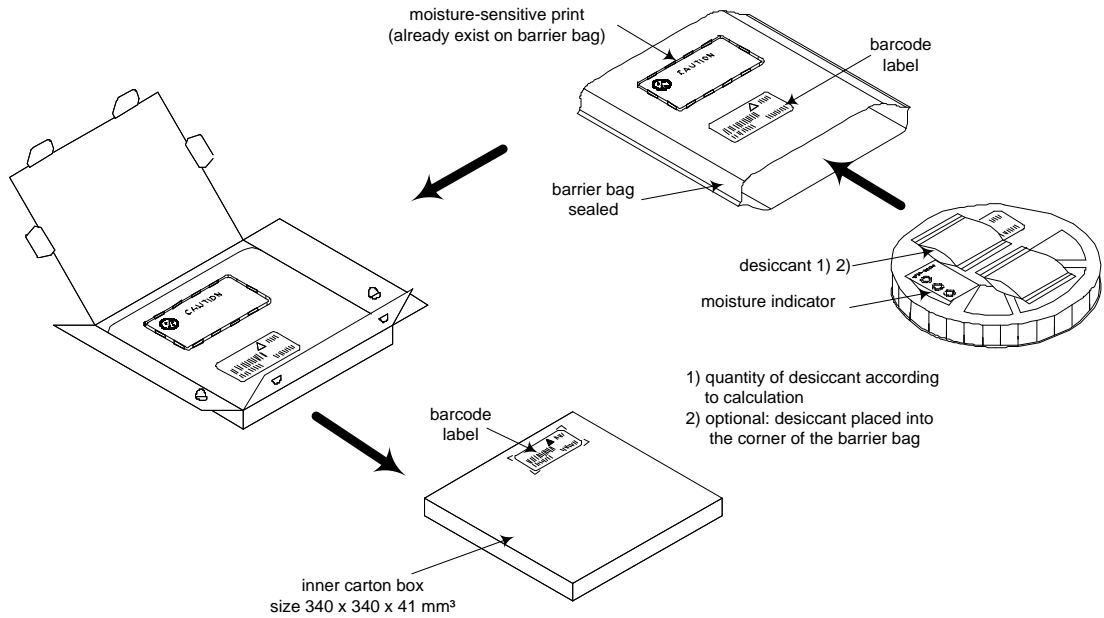
The label below shows only an example.



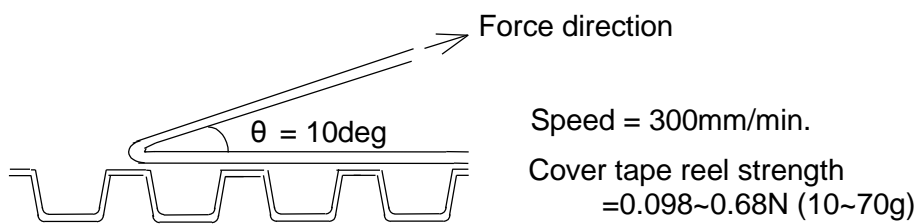
- (1T): Lotcode [YYWWDLL]
YY year today 10
WW normal calendar week today 01
D day today 5 (Friday)
L line identifier, if more as one actual 1
L lot identifier per day e.g. 1, 2, 3...
- (1P) Customer Order Code, if any, otherwise put company name on it.
(2P) Panasonic Part Number
(3P) Module type [PAN4561H, PAN4561M or PAN4561L]
(9D) Datecode as [2xYear, 2xMonth, 2xDay]
(Q) Quantity [XXXX], variable
(HW/SW) Hardware /Software Release identifier
[[G]] Identifier that the product is RoHS conform, please refer to chapter 25.

CLASSIFICATION	PRODUCT SPECIFICATION	No. DS-4561-2400-102	REV. I
SUBJECT	MODEM FOR 802.15.4 IEEE STANDARD	PAGE 27 of 34	
CUSTOMER'S CODE PAN4561H /M /L	PANASONIC PART NUMBER ENWC9A22xxEF / .25xx. / .21xx.	DATE 30.05.2016	

23.6. TOTAL PACKING HANDLING



23.7. COVER TAPE REEL STRENGTH



CLASSIFICATION	PRODUCT SPECIFICATION	No. DS-4561-2400-102	REV. I
SUBJECT	MODEM FOR 802.15.4 IEEE STANDARD	PAGE 28 of 34	
CUSTOMER'S CODE PAN4561H /M /L	PANASONIC PART NUMBER ENWC9A22xxEF / .25xx. / .21xx.	DATE 30.05.2016	

24. ORDERING INFORMATION

24.1. PAN4561H

No.	Ordering part number	Description
1	ENWC9A22A4EF	Engineering Sample PAN4561H 802.15.4 Mesh Network Module, which includes <i>Ceramic Antenna</i> , Low Noise Amplifier, up to +20dBm Power Amplifier and 60kBit Flash Memory. Synapse SNAP software included, please refer also to [9].
2	ENWC9A22B4EF	Engineering Sample PAN4561H 802.15.4 Mesh Network Module, which includes <i>UFL connector</i> , Low Noise Amplifier, up to +20dBm Power Amplifier and 60kBit Flash Memory. Synapse SNAP software included, please refer also to [9].
3	ENWC9A22C4EF	Engineering Sample PAN4561H 802.15.4 Mesh Network Module, which includes <i>RF out on SMD pad</i> , Low Noise Amplifier, up to +20dBm Power Amplifier and 60kBit Flash Memory. Synapse SNAP software included, please refer also to [9].
4	ENWC9A22A2EF	Same as number 1, but with Software: SN55 from E-Senza, please refer also to [8]
5	ENWC9A22B2EF	Same as number 2, but with Software: SN55 from E-Senza, please refer also to [8]
6	ENWC9A22C2EF	Same as number 3, but with Software: SN55 from E-Senza, please refer also to [8]
7	ENWC9A22A1EF	Same as number 1, but with Freescale based SMAC test software.
8	ENWC9A22B1EF	Same as number 2, but with Freescale based SMAC test software.
9	ENWC9A22C1EF	Same as number 3, but with Freescale based SMAC test software.

CLASSIFICATION	PRODUCT SPECIFICATION	No. DS-4561-2400-102	REV. I
SUBJECT	MODEM FOR 802.15.4 IEEE STANDARD	PAGE 29 of 34	
CUSTOMER'S CODE PAN4561H /M /L	PANASONIC PART NUMBER ENWC9A22xxEF / .25xx. / .21xx.	DATE 30.05.2016	

24.2. PAN4561M

No.	Ordering part number	Description
1	ENWC9A25A4EF	Engineering Sample PAN4561M 802.15.4 Mesh Network Module, which includes <i>Ceramic Antenna</i> , Low Noise Amplifier, up to +10dBm Power Amplifier and 60kBit Flash Memory. Synapse SNAP software included, please refer also to [9].
2	ENWC9A25B4EF	Engineering Sample PAN4561M 802.15.4 Mesh Network Module, which includes <i>UFL connector</i> , Low Noise Amplifier, up to +10dBm Power Amplifier and 60kBit Flash Memory. Synapse SNAP software included, please refer also to [9].
3	ENWC9A25C4EF	Engineering Sample PAN4561M 802.15.4 Mesh Network Module, which includes <i>RF out on SMD pad</i> , Low Noise Amplifier, up to +10dBm Power Amplifier and 60kBit Flash Memory. Synapse SNAP software included, please refer also to [9].
4	ENWC9A25A2EF	Same as number 1, but with Software: SN55 from E-Senza, please refer also to [8]
5	ENWC9A25B2EF	Same as number 2, but with Software: SN55 from E-Senza, please refer also to [8]
6	ENWC9A25C2EF	Same as number 3, but with Software: SN55 from E-Senza, please refer also to [8]
7	ENWC9A25A1EF	Same as number 1, but with Freescale based SMAC test software.
8	ENWC9A25B1EF	Same as number 2, but with Freescale based SMAC test software.
9	ENWC9A25C1EF	Same as number 3, but with Freescale based SMAC test software.

24.3. PAN4561L

No.	Ordering part number	Description
1	ENWC9A21A4EF	Engineering Sample PAN4561L 802.15.4 Mesh Network Module, which includes <i>Ceramic Antenna</i> , up to 0dBm output power and 60kBit Flash Memory. Synapse SNAP software included, please refer also to [9].
2	ENWC9A21B4EF	Engineering Sample PAN4561L 802.15.4 Mesh Network Module, which includes <i>UFL connector</i> , up to 0dBm output power and 60kBit Flash Memory. Synapse SNAP software included, please refer also to [9].
3	ENWC9A21C4EF	Engineering Sample PAN4561L 802.15.4 Mesh Network Module, which includes <i>RF out on SMD pad</i> , up to 0dBm output power and 60kBit Flash Memory. Synapse SNAP software included, please refer also to [9].
4	ENWC9A21A2EF	Same as number 1, but with Software: SN55 from E-Senza, please refer also to [8]
5	ENWC9A21B2EF	Same as number 2, but with Software: SN55 from E-Senza, please refer also to [8]
6	ENWC9A21C2EF	Same as number 3, but with Software: SN55 from E-Senza, please refer also to [8]
7	ENWC9A21A1EF	Same as number 1, but with Freescale based SMAC test software.
8	ENWC9A21B1EF	Same as number 2, but with Freescale based SMAC test software.
9	ENWC9A21C1EF	Same as number 3, but with Freescale based SMAC test software.

CLASSIFICATION	PRODUCT SPECIFICATION	No. DS-4561-2400-102	REV. I
SUBJECT	MODEM FOR 802.15.4 IEEE STANDARD	PAGE 30 of 34	
CUSTOMER'S CODE PAN4561H /M /L	PANASONIC PART NUMBER ENWC9A22xxEF / .25xx. / .21xx.	DATE 30.05.2016	

25. ROHS DECLARATION

Declaration of environmental compatibility for supplied products:

Hereby we declare to our best present knowledge based on declaration of our suppliers that this product does not contain the following substances which are banned by Directive 2002/95/EC (RoHS) or contains a maximum concentration of 0.1% by weight in homogeneous materials for

- Lead and lead compounds
- Mercury and mercury compounds
- Chromium (VI)
- PBB (polybrominated biphenyl) category
- PBDE (polybrominated biphenyl ether) category

And a maximum concentration of 0.01% by weight in homogeneous materials for

- Cadmium and cadmium compounds

26. DATA SHEET STATUS

This data sheet contains data from the PRELIMINARY specification. Supplementary data will be published at a later date. Panasonic Electronic Devices Europe GmbH reserves the right to change the specification without notice, in order to improve the design and supply the best possible product.

Please consult the most recently issued data sheet before initiating or completing a design. If there is an update, please download under: [PAN4561 Latest Data Sheet!](#)

27. REGULATORY INFORMATION

27.1. FCC NOTICE



The device PAN4561, including the ceramic antenna (ENWC9A2xAxEF) and also the SMD type (ENWC9A2xCxEF), including with the antennas, which are listed in 27.5, complies with Part 15 of the FCC Rules. The device meets the requirements for modular transmitter approval as detailed in FCC public Notice DA00-1407.transmitter under following restrictions:

PAN4561H

- 1) Channel 26, according to [1] IEEE 802.15.4, must not be used
- 2) Maximum output power of 18.5dBm allowed. This level refers to the value 0xDC in SPI register 12 of MC13213 (refer to [2] and [3]).
- 3) Duty cycle of 1% allowed

PAN4561M

- 1) Channel 26, according to [1] IEEE 802.15.4, must not be used

CLASSIFICATION	PRODUCT SPECIFICATION	No. DS-4561-2400-102	REV. I
SUBJECT	MODEM FOR 802.15.4 IEEE STANDARD	PAGE 31 of 34	
CUSTOMER'S CODE PAN4561H /M /L	PANASONIC PART NUMBER ENWC9A22xxEF / .25xx. / .21xx.	DATE 30.05.2016	

PAN4561L
No restrictions

Operation is subject to the following two conditions: (1) This device may not cause harmful interference, and (2) This device must accept any interference received, including interference that may cause undesired operation.

27.2. CAUTION



The FCC requires the user to be notified that any changes or modifications made to this device that are not expressly approved by Panasonic Electronic Devices Europe GmbH may void the user's authority to operate the equipment.

This equipment has been tested and found to comply with the limits for a Class B digital device, pursuant to Part 15 of the FCC Rules. These limits are designed to provide reasonable protection against harmful interference in a residential installation. This equipment generates, uses and can radiate radio frequency energy and, if not installed and used in accordance with the instructions, may cause harmful interference to radio communications. However, there is no guarantee that interference will not occur in a particular installation. If this equipment does cause harmful interference to radio or television reception, which can be determined by turning the equipment off and on, the user is encouraged to try to correct the interference by one or more of the following measures:

- Reorient or relocate the receiving antenna.
- Increase the separation between the equipment and receiver.
- Connect the equipment into an outlet on a circuit different from that to which the receiver is connected.
- Consult the dealer or an experienced radio/TV technician for help

27.3. LABELING REQUIREMENTS



The Original Equipment Manufacturer (OEM) must ensure that FCC labeling requirements are met. This includes a clearly visible label (laser marking) on the outside of the OEM enclosure specifying the appropriate Panasonic FCC identifier for this product as well as the FCC Notice above. The FCC identifier is **FCC ID: T7V4561HM**.

In any case end product must be labelled exterior with "Contains FCC ID: T7V4561HM"

27.4. ANTENNA WARNING



The related part number for this device is ENWC9A2xBxEF (PAN4561 with U.FL connector) and ENWC9A2xCxEF (PAN4561 with SMD pad). For details, please see the chapter 24. Ordering Information. This device is tested with a standard SMA connector and with the antennas listed below. When integrated in the OEMs product, these fixed antennas require installation preventing end-users from replacing them with non-approved antennas. Any antenna not in the following table must be tested to comply with FCC Section 15.203 for unique antenna connectors and Section 15.247 for emissions. The FCC identifier for this device with the antenna listed in item 1 are the same (FCC ID: T7V4561HM).

CLASSIFICATION	PRODUCT SPECIFICATION	No. DS-4561-2400-102	REV. I
SUBJECT	MODEM FOR 802.15.4 IEEE STANDARD	PAGE 32 of 34	
CUSTOMER'S CODE PAN4561H /M /L	PANASONIC PART NUMBER ENWC9A22xxEF / .25xx. / .21xx.	DATE 30.05.2016	

27.5. APPROVED ANTENNA LIST

Note: We are able to qualify your antenna and will add to this list as that process is completed.

Item	Part Number	Manufacturer	Frequency Band	Type	Gain (dBi)
1					
2					

27.6. RF EXPOSURE PAN4561



To comply with FCC RF Exposure requirements, the Original Equipment Manufacturer (OEM) must ensure that the approved antenna in the previous table must be installed.

The preceding statement must be included as a CAUTION statement in manuals for products operating with the approved antennas in the previous table to alert users on FCC RF Exposure compliance.

Any notification to the end user of installation or removal instructions about the integrated radio module is not allowed.

The radiated output power of PAN4561 with mounted ceramic antenna (FCC ID: T7V4561HM) is below the FCC radio frequency exposure limits. Nevertheless, the PAN4561 shall be used in such a manner that the potential for human contact during normal operation is minimized.

End users may not be provided with the module installation instructions. OEM integrators and end users must be provided with transmitter operating conditions for satisfying RF exposure compliance.

CLASSIFICATION	PRODUCT SPECIFICATION	No. DS-4561-2400-102	REV. I
SUBJECT	MODEM FOR 802.15.4 IEEE STANDARD	PAGE 33 of 34	
CUSTOMER'S CODE PAN4561H /M /L	PANASONIC PART NUMBER ENWC9A22xxEF / .25xx. / .21xx.	DATE 30.05.2016	

28. RELATED DOCUMENTS

For an update, please search in the suitable homepage.

- [1] IEEE Standard 802.15.4 –2003 Wireless Medium Access Control (MAC) and Physical Layer (PHY) Specifications for Low-Rate Wireless Personal Area Networks (LR-WPANs)
- [2] Technical Data MC1321x Document Number: MC1321x
Rev. 1.1, 03/2007 Freescale Semiconductor
- [3] MC1321x Reference Manual Document Number: MC1321xRM
Rev. 1.1, 10/2006 Freescale Semiconductor
- [4] Handling MAC Address erasure, AN2825, Rev. 0.0 10/2004, Freescale Semiconductor
- [5] 802154MPSUG 802.15.4 MAC/PHY Software User's Guide, Rev 1.1, Freescale Semiconductor
- [6] 802154EBRM.pdf
802.15.4 Embedded Bootloader Reference Manual Rev. 0.0 09/2004
- [7] AN2771 802.15.4 PHY Protocol Test Client (PTC) Rev. 0.0 Freescale Semiconductor
- [8] Manual to the E-Senza SN55 Programmer Interface Manual [[Download](#)]
- [9] Manual to the Evaluation Kit from Synapse, which fits to module hardware from Panasonic
[Downloads: SNAP Reference Manual [Updated 10/2/2008](#); SNAP Hardware Technical Manual [Updated 10/2/2008](#)]
Each new release from Synapse, will be posted [here](#). Be sure to be registered free under <http://forums.synapse-wireless.com>.
- [10] Technical Data CC2591 (2.4-GHz RF Front End) from Texas Instruments
CC2591 2.4 GHz RF Front End ([Rev. A; 10. Juni 2008](#))
- [11] Question and Answer Sheet for CC2590 and CC2591
CC2590 and CC2591 Q&A Sheet ([Rev. D; 26. January 2010](#))

CLASSIFICATION	PRODUCT SPECIFICATION	No. DS-4561-2400-102	REV. I
SUBJECT	MODEM FOR 802.15.4 IEEE STANDARD	PAGE 34 of 34	
CUSTOMER'S CODE PAN4561H /M /L	PANASONIC PART NUMBER ENWC9A22xxEF / .25xx. / .21xx.	DATE 30.05.2016	

29. GENERAL INFORMATION

© Panasonic Electronic Devices Europe GmbH 2009.

All rights reserved.

This product description does not claim to be complete and free of mistakes.

Please contact the related product manager with any errata inquiries.

If we deliver samples to the customer, these samples have the status Engineering Samples. This means, the design of this product is not yet completed. Engineering Samples may be partially or fully functional, and there may be differences published in the Data Sheet.

Engineering Samples are not qualified and are not to be used for reliability testing or series production.

Disclaimer:

Customer acknowledges that samples may deviate from the Data Sheet and may bear defects due to their status of development and the lack of qualification mentioned above.

Panasonic Electronic Devices Europe GmbH disclaims any liability or product warranty for Engineering Samples. In particular, Panasonic Electronic Devices Europe GmbH disclaims liability for damages caused by

- the use of the Engineering Sample other than for Evaluation Purposes, particularly the installation or integration in an other product to be sold by Customer,
- deviation or lapse in function of Engineering Sample,
- improper use of Engineering Samples.

Panasonic Electronic Devices Europe GmbH disclaims any liability for consequential and incidental damages. In case of any questions, please contact your local sales partner or the related product manager.

30. LIFE SUPPORT POLICY

This Panasonic Electronic Devices Europe GmbH product is not designed for use in life support appliances, devices, or systems where malfunction can reasonably be expected to result in a significant personal injury to the user, or as a critical component in any life support device or system whose failure to perform can be reasonably expected to cause the failure of the life support device or system, or to affect its safety or effectiveness. Customers using or selling these products for use in such applications do so at their own risk and agree to fully indemnify Panasonic Electronic Devices Europe GmbH for any damages resulting.